



**Dana® Spicer®**  
Aftermarket Products

## U-Tube Breather Assembly.

Simple replacement provides optimum drive axle protection from harmful clogging and water ingestion.



Custom formed, overhanging hose design preserves air flow in spite of oil, dirt, ice or snow buildup.

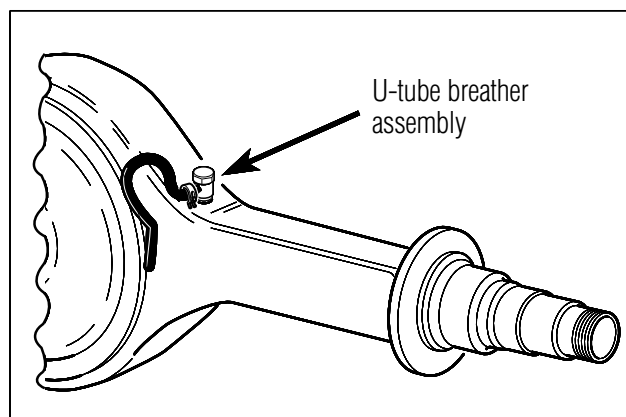
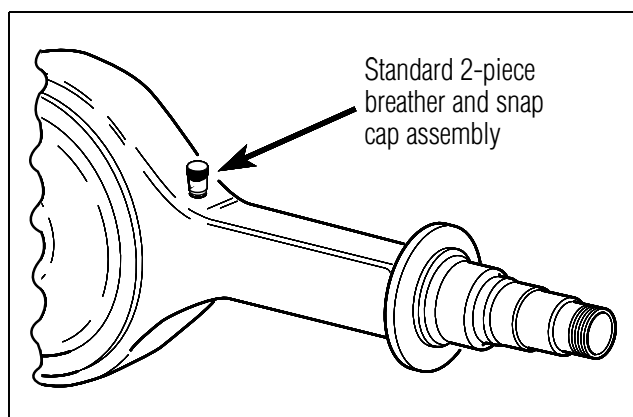


**U-Tube breather kit, part no. 507162, for Dana Spicer tandem and single drive axles.**

### Features

- Clog-free design prevents vacuum buildup and maintains air flow.
- Corrosion-resistant construction improves long-term durability and performance.
- U-tube design provides better protection against direct sprays, a common cause of harmful water ingestion.
- Two-piece clamp assembly improves resistance to vibration.
- Completely interchangeable with standard two-piece breather and snap cap assembly.
- Compatible with all axle lubricants.
- Maintenance-free design requires no periodic cleaning.

# Dana® Spicer® U-Tube Breather Assembly



## Model Availability\*

Available for all current production drive axles.

\*Note: The breather will not work on older non-production housings with 1/8" vent holes.

## Kit Contents

The U-tube breather assembly, kit 507162, contains:

Quantity	Part No.	Description
1	129337	Breather valve
1	129340	Hose and clamp assembly
1	129341	Installation instructions

## Roadranger®

MORE TIME ON THE ROAD.

The Roadranger® System is an unbeatable combination of the best products from Eaton and Dana – partnering to provide you the most advanced, most trouble-free drivetrain in the industry. And it's backed by the Roadrangers – the most experienced, most expert, most accessible drivetrain consultants in the business.

For spec'ing or service assistance, call **1-800-826-HELP** (4357) 24 hours a day, 7 days a week, (Mexico: 8-332-1515) for more time on the road. Or visit our web site at <http://roadranger.com>.



*People Finding A Better Way®*

Dana Corporation  
Spicer Heavy Axle & Brake Division  
P.O. Box 4097  
Kalamazoo, MI 49003