



SmartWave™ TPMS (Tire Pressure Monitoring System)

Roadranger® More time on the road™

Illustrated Parts List

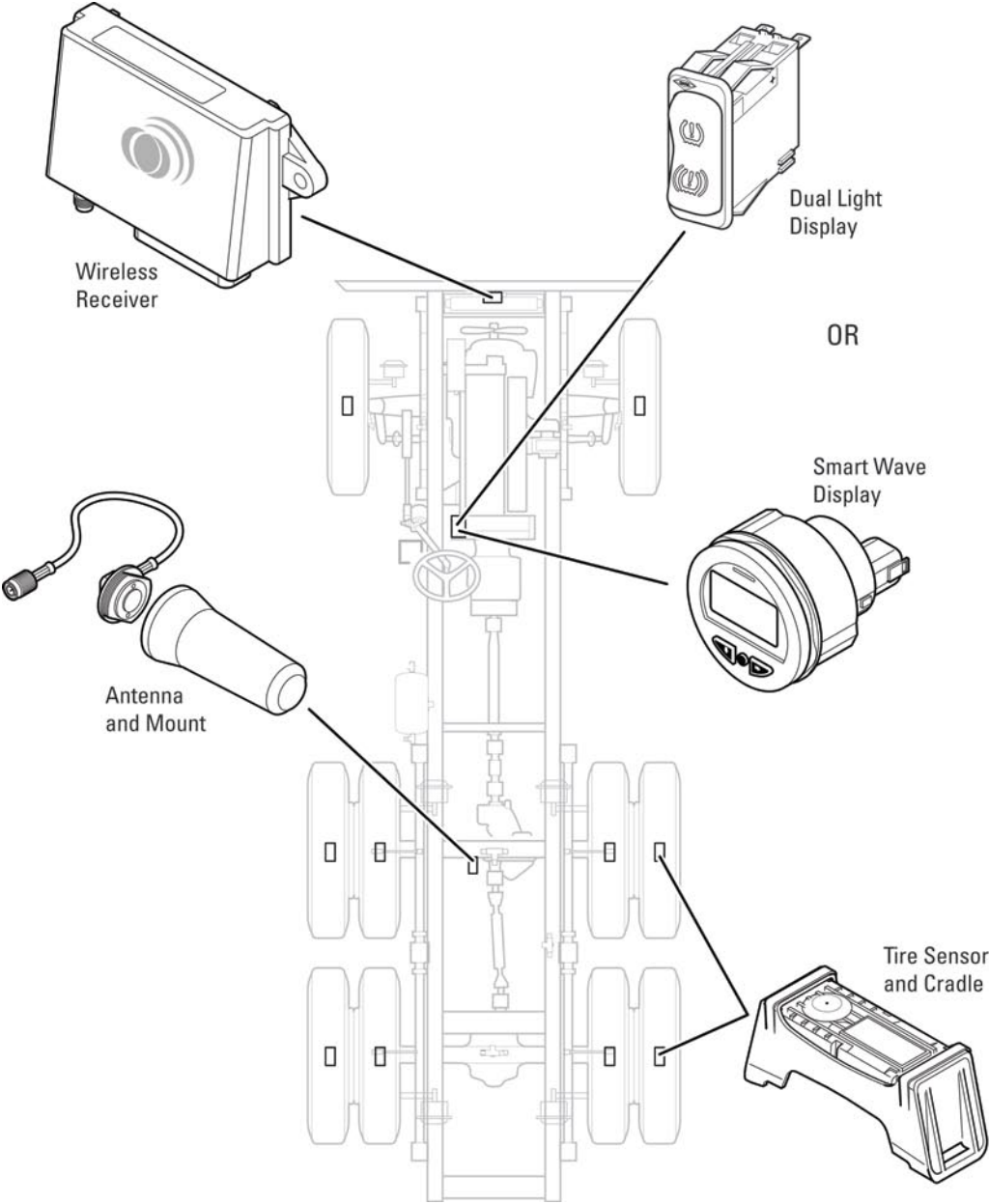
AXIP0030

May 2008

Table of Contents

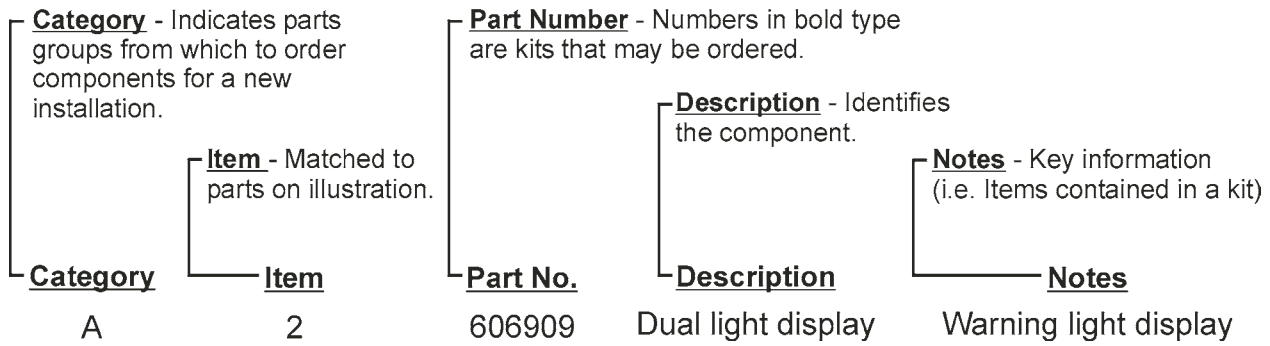
General Information	2
How to Order Parts.....	3
SmartWave™ TPMS Part - Components	4

SmartWave™ TPMS (Tire Pressure Monitoring System)



SmartWave™ TPMS (Tire Pressure Monitoring System)

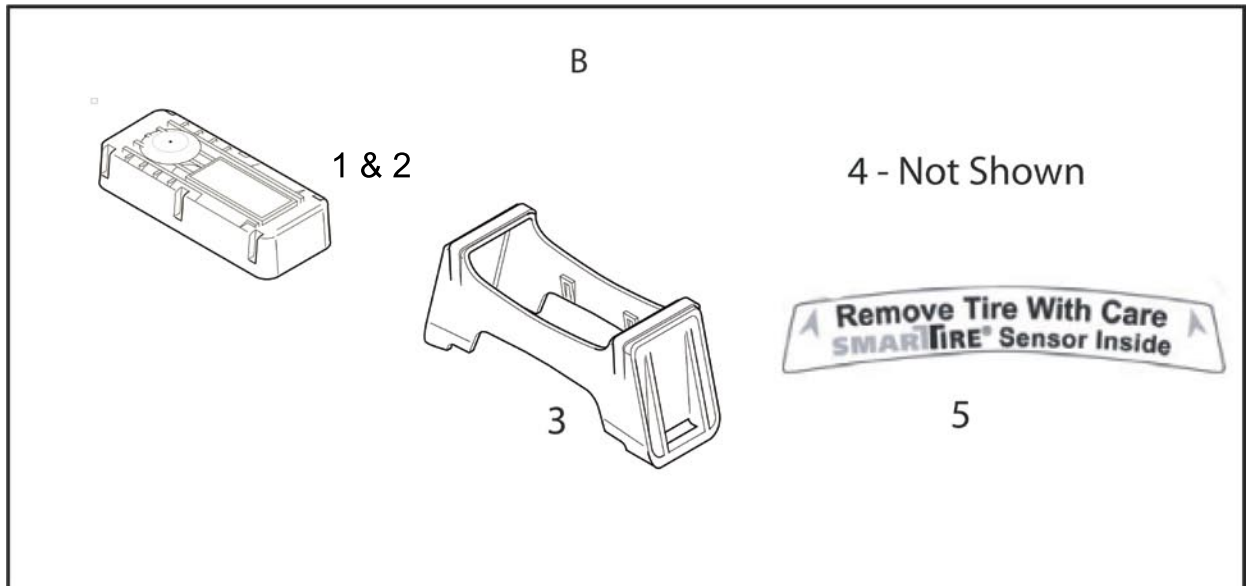
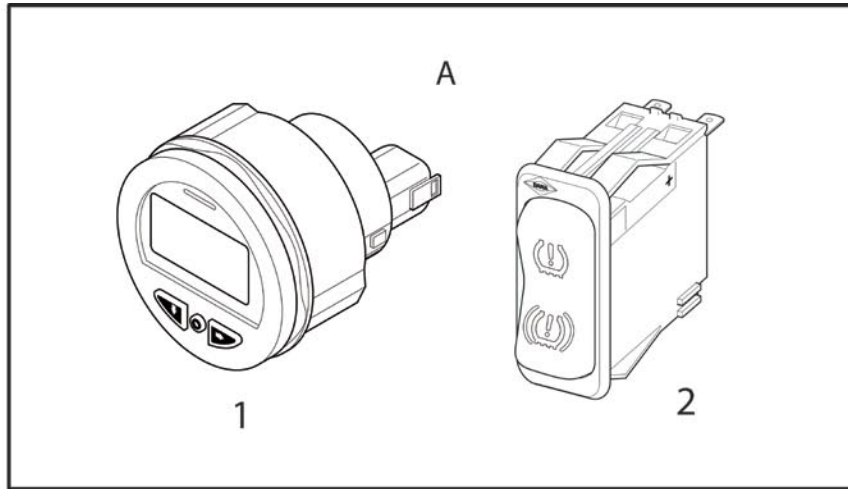
How To Order Parts



Note: Always replace parts with same as original part.

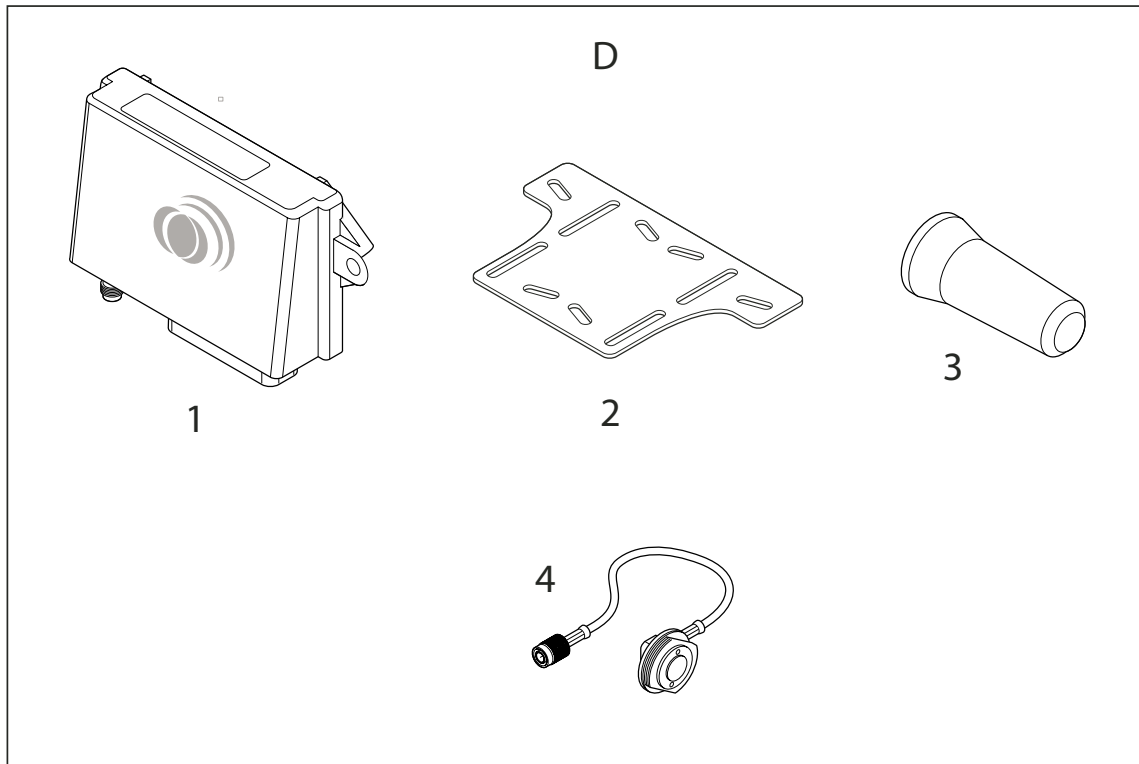
Every effort has been made to ensure the accuracy of this publication. However, Dana Holding Corporation Spicer Service Parts Group makes no expressed or warranty representation based on the information contained in this publication.

SmartWave™ TPMS (Tire Pressure Monitoring System)



Category	Item	Part No.	Description	Notes
A	Driver Displays			
	1	676909	SmartWave Driver Display	Full function display
	2	676908	Dual Light Display	Warning light display
B	Sensors and Sensor Parts			
	1+3	606902	Always On transmitter 676925 with mounting cradle 676901	Yellow-colored sensor body
	2+3	676920	Power Save transmitter 676926 with mounting cradle 676901	Orange-colored sensor body
	3	676901	Mounting cradle	
	4	676903	Mounting strap (72" stainless steel clamp)	
	5	676912	Label - rim	

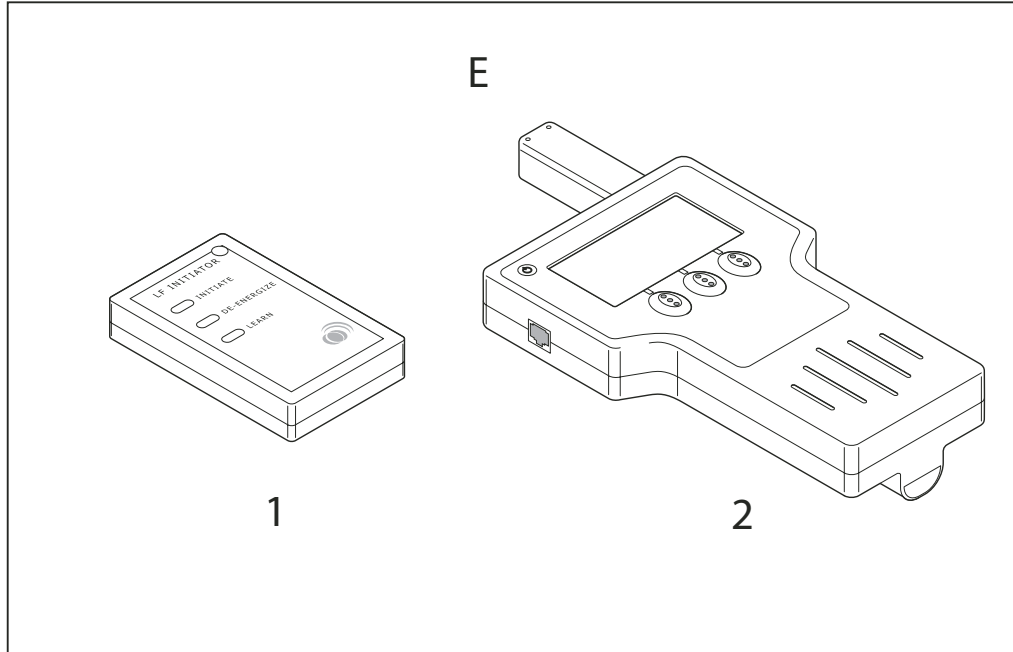
SmartWave™ TPMS (Tire Pressure Monitoring System) Components



Category	Item	Part No.	Description	Notes
C	Wiring Harnesses and Cables (Not Shown)			
	1	514444	Generic wiring harness kit	
	2	514445	International wiring harness kit	
	3	676923	Antenna cable - 20'	
	4	676915	Antenna cable - 25'	
D	Misc. Parts			
	1	676913	Receiver - Phase III	
	2	676914	Mounting plate - receiver	
	3	676905	Antenna - low profile	
	4	676904	Antenna - base mount	
	5	676907	Mounting bracket - antenna (Not Shown)	
	6	676900	Warning buzzer - optional (Not Shown)	See Note 1 below

Note 1: Optional warning buzzer is only used with the SmartWave Driver Display

SmartWave™ TPMS Complete Kits and Diagnostic Tools



Category	Item	Part No.	Description	Notes
E	Diagnostic Equipment			
	1	676910	LF Initiator - handheld	
	2	676911	SmartWave Maintenance - hand tool	
	3	676919	Wiring harness - J1939 diagnostics	
Complete System Kits (Not Shown) See Note 1				
		514486	10 Wheel (6 x 4 dual tire, tandem rear axle)	
		514485	6 Wheel (6 x 4 wide based single rears, tandem rear axle)	
		514484	6 Wheel (4 x 2 dual tire, single rear axle)	
		514439	10 Wheel (6 x 4 dual tire, tandem rear axle)	See Note 2
		514438	6 Wheel (6 x 4 wide based single rears, tandem rear axle)	See Note 2
		514437	6 Wheel (4 x 2 dual tire, single rear axle)	See Note 2
		514442	10 Wheel (International 6 x 4)	See Note 3
		514441	6 Wheel (International 6 x 4 singles)	See Note 3
		514440	6 Wheel (International 4 x 2)	See Note 3

Note 1: See following page(s) for kit contents.

Note 2: This system does not use temperature compensation to reflect air pressure in relationship to the temperature. For more information on the Temperature Compensation feature refer to the Service and Troubleshooting manual, AXTS0030, or contact 1-800-TCM-HELP (826-4357).

Note 3: International kits are specific to International wiring harnesses and do not use temperature compensation as described in Note 2 above.

SmartWave™ TPMS Kit Contents

Quantity	Part No.	Description	Notes
	514486	10 Wheel (6 x 4) System Kit	
1	676918	CAN lite wiring harness	
1	676913	J1939 Phase III Receiver	
10	676902	Always On Sensors with Cradle	
10	676903	Strap 72" - Stainless Steel, Clamp	
1	676904	Antenna Base - Hole Mount	
1	676907	Bracket - Antenna	
1	676905	Antenna - Low Profile	
1	676906	30 ft Antenna Cable	
1	676909	Driver Display - 2" Gauge	
1	676914	Mounting bracket - Receiver	
10	676912	Rim Label	
2	N/A	Screw, Flng HD, 1-1/4	
4	N/A	Washer, Flat 9/16 OD, 1/4 ID	
2	N/A	Locknut w/Nylon 1/4-20	
1	N/A	Disk, Kit Documents, INTN	
1	N/A	SmartWave™ Tire Alert Card	
15	N/A	Black Cable Tie 11.8"	
	514485	6 Wheel (6 x 4) System Kit	
	514484	6 Wheel (4 x 2) System Kit	
1	676918	CAN lite wiring harness	
1	676913	J1939 Phase III Receiver	
6	676902	Always On Sensors with Cradle	
6	676903	Strap 72" - Stainless Steel, Clamp	
1	676904	Antenna Base - Hole Mount	
1	676907	Bracket - Antenna	
1	676905	Antenna - Low Profile	
1	676906	30 ft Antenna Cable	
1	676909	Driver Display - 2" Gauge	
1	676914	Mounting bracket - Receiver	
6	676912	Rim Label	
2	N/A	Screw, Flng HD, 1-1/4	
4	N/A	Washer, Flat 9/16 OD, 1/4 ID	
2	N/A	Locknut w/Nylon 1/4-20	
1	N/A	Disk, Kit Documents, INTN	
1	N/A	SmartWave™ Tire Alert Card	
15	N/A	Black Cable Tie 11.8"	

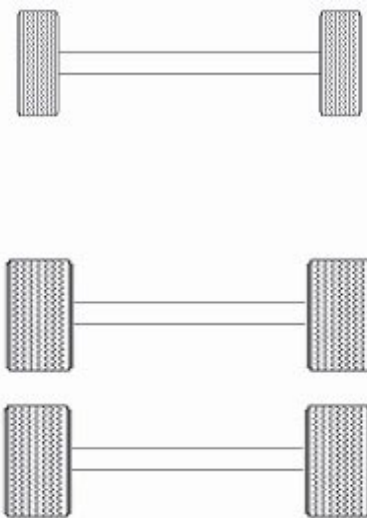
10 Wheel 6x4



6 Wheel 4x2



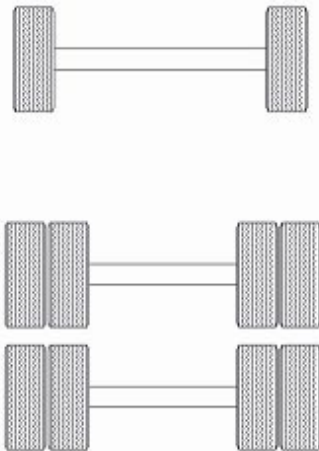
6 Wheel 6x4



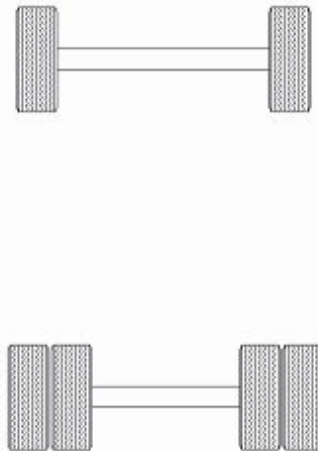
SmartWave™ TPMS Kit Contents

Quantity	Part No.	Description	Notes
	514439	10 Wheel (6 x 4) System Kit without Temperature Compensation	
1	676918	CAN lite wiring harness	
1	676913	J1939 Phase III Receiver	
10	676902	Always On Sensors with Cradle	
10	676903	Strap 72" - Stainless Steel, Clamp	
1	676904	Antenna Base - Hole Mount	
1	676907	Bracket - Antenna	
1	676905	Antenna - Low Profile	
1	676906	30 ft Antenna Cable	
1	676909	Driver Display - 2" Gauge	
1	676914	Mounting bracket - Receiver	
10	676912	Rim Label	
2	N/A	Screw, Flng HD, 1-1/4	
4	N/A	Washer, Flat 9/16 OD, 1/4 ID	
2	N/A	Locknut w/Nylon 1/4-20	
1	N/A	Disk, Kit Documents, INTN	
1	N/A	SmartWave™ Tire Alert Card	
15	N/A	Black Cable Tie 11.8"	
	514438	6 Wheel (6 x 4) System Kit without Temperature Compensation	
	514437	6 Wheel (4 x 2) System Kit without Temperature Compensation	
1	676918	CAN lite wiring harness	
1	676913	J1939 Phase III Receiver	
6	676902	Always On Sensors with Cradle	
6	676903	Strap 72" - Stainless Steel, Clamp	
1	676904	Antenna Base - Hole Mount	
1	676907	Bracket - Antenna	
1	676905	Antenna - Low Profile	
1	676906	30 ft Antenna Cable	
1	676909	Driver Display - 2" Gauge	
1	676914	Mounting bracket - Receiver	
6	676912	Rim Label	
2	N/A	Screw, Flng HD, 1-1/4	
4	N/A	Washer, Flat 9/16 OD, 1/4 ID	
2	N/A	Locknut w/Nylon 1/4-20	
1	N/A	Disk, Kit Documents, INTN	
1	N/A	SmartWave™ Tire Alert Card	
15	N/A	Black Cable Tie 11.8"	

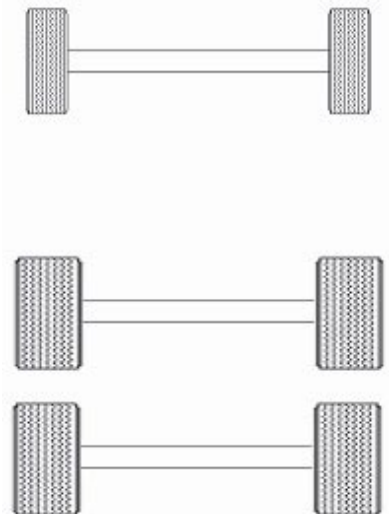
10 Wheel 6x4



6 Wheel 4x2



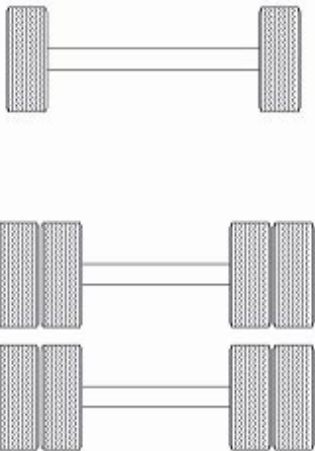
6 Wheel 6x4



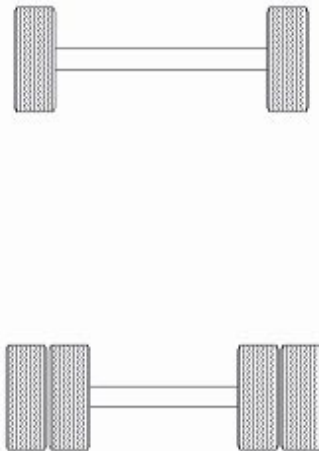
SmartWave™ TPMS Kit Contents

Quantity	Part No.	Description	Notes
	514442	10 Wheel (6 x 4) International System Kit without Temperature Compensation	
1	676916	International Wiring harness	
1	676913	J1939 Phase III Receiver	
10	676902	Always On Sensors with Cradle	
10	676903	Strap 72" - Stainless Steel, Clamp	
1	676904	Antenna Base - Hole Mount	
1	676907	Bracket - Antenna	
1	676905	Antenna - Low Profile	
1	676906	30 ft Antenna Cable	
1	676909	Driver Display - 2" Gauge	
1	676914	Mounting bracket - Receiver	
10	676912	Rim Label	
2	N/A	Screw, Flng HD, 1-1/4	
4	N/A	Washer, Flat 9/16 OD, 1/4 ID	
2	N/A	Locknut w/Nylon 1/4-20	
1	N/A	Disk, Kit Documents, INTN	
1	N/A	SmartWave™ Tire Alert Card	
15	N/A	Black Cable Tie 11.8"	
	514441	6 Wheel (6 x 4) International System Kit without Temperature Compensation	
	514440	6 Wheel (4 x 2) International System Kit without Temperature Compensation	
1	676916	International Wiring harness	
1	676913	J1939 Phase III Receiver	
6	676902	Always On Sensors with Cradle	
6	676903	Strap 72" - Stainless Steel, Clamp	
1	676904	Antenna Base - Hole Mount	
1	676907	Bracket - Antenna	
1	676905	Antenna - Low Profile	
1	676906	30 ft Antenna Cable	
1	676909	Driver Display - 2" Gauge	
1	676914	Mounting bracket - Receiver	
6	676912	Rim Label	
2	N/A	Screw, Flng HD, 1-1/4	
4	N/A	Washer, Flat 9/16 OD, 1/4 ID	
2	N/A	Locknut w/Nylon 1/4-20	
1	N/A	Disk, Kit Documents, INTN	
1	N/A	SmartWave™ Tire Alert Card	
15	N/A	Black Cable Tie 11.8"	

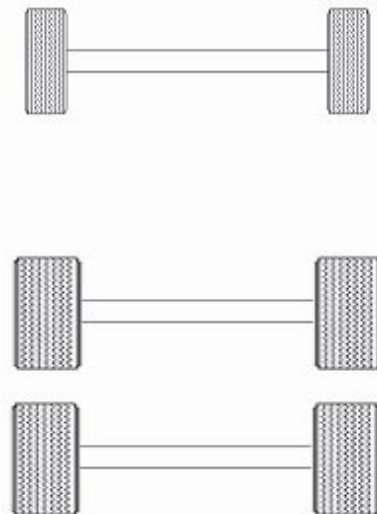
10 Wheel 6x4



6 Wheel 4x2



6 Wheel 6x4



This page intentionally left blank.

Copyright Eaton Corporation and Dana Limited, 2008. Eaton and Dana hereby grant their customers, vendors, or distributors permission to freely copy, reproduce and/or distribute this document in printed format. It may be copied only in its entirety without any changes or modifications. THIS INFORMATION IS NOT INTENDED FOR SALE OR RESALE, AND THIS NOTICE MUST REMAIN ON ALL COPIES.



National Institute for
**AUTOMOTIVE
SERVICE
EXCELLENCE**

Roadranger®



EAT•N

For spec'ing or service assistance, call 1-800-826-HELP (4357) 24 hours a day, 7 days a week (Mexico: 001-800-826-4357), for more time on the road. Or visit our web site at www.roadranger.com.

Roadranger: Eaton, Dana and other trusted partners providing the best products and services in the industry, ensuring more time on the road.