



# Dana<sup>®</sup> Spicer<sup>®</sup>

Axle Shafts

Wheel Differential  
Case Kits

Illustrated Parts List

AXIP-0073 August 1994

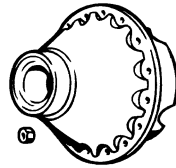
Visit our web site at <http://roadranger.com>.

# Wheel Differential Case Kits

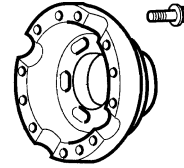
## Single Reduction Axles



(A)



(B)



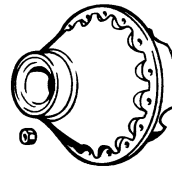
(C)

Services Axle Models:	Variations	Includes:			Also Services these cases:		NOTES
		Eaton Case Kit Part-No	Flanged Half (B)	Plain Half (C)	Flanged Half	Plain Half	
15040S	Ratios 3.36-3.90	122233	126037	126996	126037	126034, 126996	
	Ratios 4.11-4.88	121734	126036	126996	126036	126034, 126996	
	Ratios 5.29-7.17	121735	126035	126996	126035	126034, 126996	
13100,15100,15107		98892	118732	119870	34770, 118732	34771, 119870	
16120, 30DS/RS		68021	118736	118735	67908, 118736	33670, 118735	
17100, 17103, 17120, 17123	w/ 1/2 holes & 12 O.D.	96794	91114	210017	83940	45452, 88678	
18100, 18103, 18120, 18123						110138, 210017	
21121 & 34/38DS/RS (all ratios)	w/ 1/2 holes & 11 1/4 O.D.	96795	91116	210017	67812	45452, 88678	
						110138	
17100,17103,17120,17123	w/ 5/8 holes						
18100,18103,18120,18123							
21121 & 34/38DS/RS (all ratios)		124374	88677	210017	88283	45452, 88678	
DS/RS340, 380, 400	Ratios 5.57-7.17				88677	110138, 210017	Kit 124374 replaces kit 94799
DS/RS341, 381, 401, 402, 451							
DA/RA402							
22121	Ratios 6.17-7.17						
DS/RS340, 380, 400		106397	103865	210017	103865	88678, 110138	
DS/RS341, 381, 401, 402, 451	Ratios 3.36-5.29					210017	
DA/RA402							
22121	Ratios 3.90-5.57						
DS/RS341, 402, 451	Ratios 3.08 & 3.25	212202	127823	210017	127823	210017	
	Ratios 3.55-5.29		106974	210017	86287,88679	45452, 88678	Kit includes 106694 (A),
DS/RS340, 380, 400 models					103865	110138, 210017	and 6082 Brg Cone
built w/ 2-Speed Carriers	Ratios 5.57-7.17	106975	88677	210017	86287, 88679	45452, 88678	Kit includes 106694 (A),
					88677	110138, 210017	and 6082 Brg Cone
19050S	Ratios 3.36-4.11	121750	210390	126014	210390, 126015	126014	
	Ratios 4.33-5.29	121751	210391	126014	210391, 126026	126014	
	Ratios 5.57-7.17	121752	210392	126014	210392, 126017	126014	
19055S, 210655, 220655	Ratios 3.08-3.55	211407	126190	210017	126190	210017	
	Ratios 3.70-4.33	121770	126191	210017	126191	210017	
	Ratios 4.63-7.17	121771	126192	210017	126192	210017	
19100, 19103, 19120, 19123		104609	104519	104518	40288, 88717	40289, 78905	
Early model 44DS/RS, 26121					104519	104518	
DS/RS440, 460							
23120, 26120	Ratios 3.55-4.11	98610	88501	86777	88501	86777	
Late model 44DS/RS,							
DS/RS480	Ratios 4.33-6.67	98611	86776	86777	86776	86777	

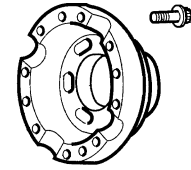
# Single Reduction Axles Continued



(A)



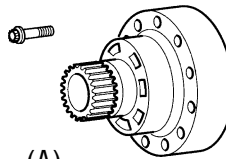
(B)



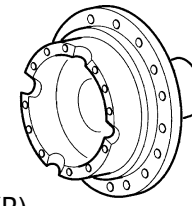
(C)

Services Axle Models:	Variations	Includes:			Also Services these cases:		NOTES
		Eaton Case Kit Part-No	Flanged Half (B)	Plain Half (C)	Flanged Half	Plain Half	
DS/RS461, 521, 581	Ratios 3.55-4.11	98610	88501	86777	88501	86777	
	Ratios 4.33-6.67	121845	126234	86777	126234	86777	
23070S, 23085S	Ratios 3.08-3.70	121787	210504	210507	210504	210507	
	Ratios 3.90-4.33	121788	210505	210507	210505	210507	
	Ratios 4.63-6.50	121789	210506	210507	210506	210507	Kit 121789 not used on 23085S models
23105S, 26105S, 30105S 23105A	Ratios 3.08-3.90	119795	113863	113864	113863	113864	
	Ratios 4.11-4.33	119793	113861	113864	113861	113864	
	Ratios 4.63-6.14	119794	113862	113864	113862	113864	
DS/RS344, 404, 454 DA/RA404	Ratios 2.64-3.25	216230	127585	127408	127585	127408	
	Ratios 3.36-3.90	216231	127586	127408	127586	127408	
	Ratios 4.11-4.88	216232	127587	127408	127587	127408	
	Ratios 5.29-6.50	216233	127588	127408	127588	127408	

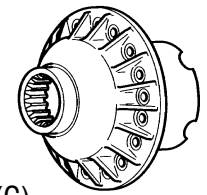
# Single Reduction w/Wheel Differential Lock



(A)



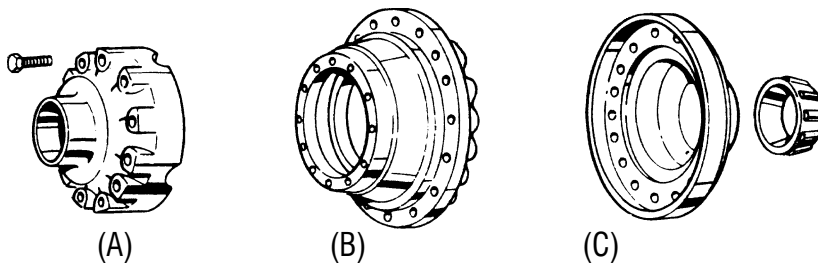
(B)



(C)

Services Axle Models:	Variations	Includes:			
		Eaton Case Kit Part-No.	Plain Half (A)	Flanged Half (B)	Flanged Half (C)
19055D, 21065D, 22065D	Ratios 3.08-3.55	122112	210017	126844	
	Ratios 3.70-4.33	122118	210017	126845	
	Ratios 4.63-7.17	122119	210017	126846	
DD/RD404, 454	Ratios 2.64-3.25	217166	128607	127585	
	Ratios 3.36-3.90	217167	128607	127586	
	Ratios 4.11-4.88	217168	128607	127574	
	Ratios 5.29-6.50	217169	128607	127575	
DD/RD461, 521 581	Ratios 3.55-4.11	217619	86777		128980
	Ratios 4.33-6.67	217620	86777		128981

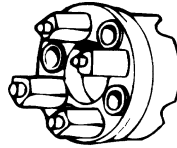
# Single Reduction w/Controlled Traction Differential



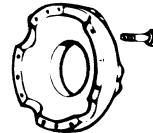
Services Axle Models:	Variations	Includes:					Support Case (C) will service the following:	NOTES
		Eaton Case Kit Part-No.	Capscrews & Plain Half (A)	Flanged Half (B)	Service Support Case (C)	Support Case (C)		
17401, 17421, 21421, 22421								
DS/RS341* 381* 401*		124375	210017	111029	111026	111026		
DC/RC341, 381, 401, 402, 451								
19420, 26420		106440	78905	82443	103517	82450	Kit 103517 includes 102660	
Early model 44DSM/RSM						103190	Brg Cone	
23420, 26420, 23085C		98872	86777	86786	103517	82450	Kit 103517 includes 102660	
DS/R5460*, 480*, DC/RC461, 521						103190	Brg Cone	
23105C, 26105C, 30105C	Ratios 3.08-3.90	120984	113864	126205	113974	113974		
	Ratios 4.11-4.33	120982	113864	126204	113974	113974		
	Ratios 4.63-6.14	120983	113864	126206	113974	113974		

\*Denotes Controlled Traction on Tandem Models

# 2-Speed Planetary Double Reduction Axles



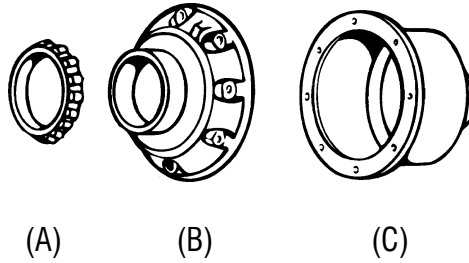
(A)



(B)

		Includes:						
		Eaton	Capscrews &		Also services these cases:			
Services Axle Models:	Variations	Case Kit Part-No.	Case & Pin Assy (A)	Plain Halt (B)	Case & Pin Assy	Plain Half	NOTES	
13802, 15200, 15300, 15040T/P		52112	408237 (Cast #71880)	71881	20884 (Cast #20760)	20761		
16220, 16320, 16247, 16244,16344 16802, 30DT/RT, 30DP/RP 19050T/P		51559	109234 (Cast #109235)	109236	27880 (Cast #27862)	25967		
16244*, 16344*	36 Inv	121962*	126006*	126007*			* Conversion kits will upgrade existing Wheel Diff. to current production Wheel Diff. Reference AXIP-0107 (EA-107S) parts catalog for more info.	
	30 Inv	121963*	(Cast # 126005)					
	16 Ang	121964*						
	16 Str	121965*						
17200, 17220, 17300, 17320 18200, 18220, 18300, 18320 21220, 22220, 22320 19055T/P, 21065T/P, 22065T/P 23070T/P 34, 38DT/RT, 34, 38, 42DP/RP DT/RT340, 380, 400 DT/RT341, 381, 401, 402, 451 DP/RP340, 380, 400 DR/RP341, 381, 401, 402, 451		101878	98182 (Cast #96278)	96279	27843 (Cast #27811)	27812		
19050T/P		121807	126006 (Cast #126005)	126007				
19200, 19220, 19300, 19320 23220, 23320, 26220, 26320 44DT/RT, 44DP/RP DT/RT, DP/RP 440, 460, 480 26085T/P*		98584	98183 (Cast #108139)	108140			*Built before 4/6/88	
30055P, 35055P DT/RT461, 521, 601, 651 DP/RP461, 521, 601, 651 23085T/P, 26085T/P		122417	126304 (Cast #108139)	108140			* Built after 4/6/88	
23227, 23327, 35227, 35327 DT/RT485, DP/RP485 DP/RP550, 580, 650		109270	108146 (Cast #108139)	108140				

# Support Case 2-Speed Planetary Double Reduction Axles

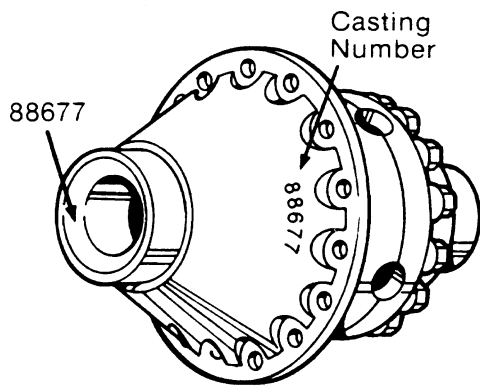
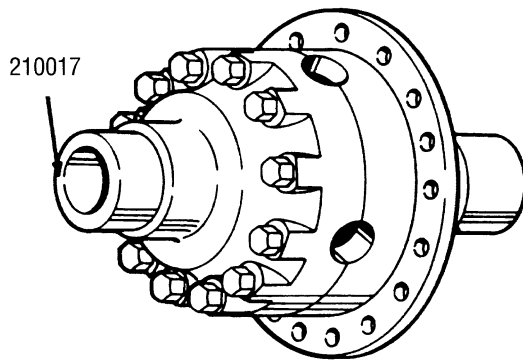


Services Axle Models.	Support Case (B)	Support Case (C)	Notes
15040T/P, 15200, 15300	13385	20759	
16220, 16244, 15247, 45320, 16344	27859	27860	
19050T/P	27859	126009	
17200, 17220, 17300, 17320, 18200, 18220, 18300, 18320, 21220, 21320, 22220, 22320,	27838	110148	
19055T/P, 21065T/P, 22065T/P, 23070T/P 34/38DT/RT, 34/38/42DP/RP DT/RT340,380,400, DP/RP340, 380, 400 DT/RT341, 381, 401, 402, 451 DP/RP341, 381, 401, 402, 451 50DT/RT, 50DP/RP		116568*	*Kit 116568 replaces old Support Case 27839, this kit includes the 110148 and a new 110243 Diff Brg Adjuster, which must also be used.
26085T/P - Built before 4-6-88	126301	21619	
19200, 19300, 23220, 23320 26220, 26320 44DT/RT, 44DP/RP DT/RT440, 460, 480 DP/RP440, 460, 480	106471*		*Kit replaces old Support Cases 27950 and 103537. This kit includes the 126301 & 102660 Brg Cone (A).
26085T/P - Built after 4-6-88 23085T/P, 30055P, 35055P, 35327 DT/RT485, DP/RP435, DT/RT461, 521, 601, 651, DT/RP461, 521, 601, 651 DP/RP550, 580, 650	126301 106471*	108138	*Kit 106471 replaces old Support Cases 27950 and 103537. This kit includes the 126301 & 102660 Brg Cone (A)

# Part Number Identification

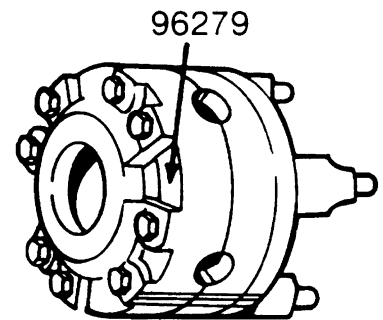
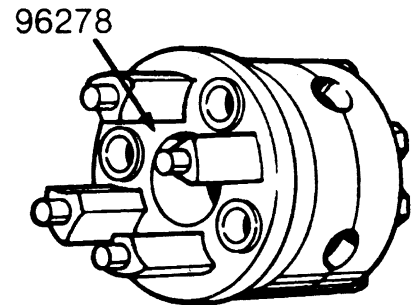
## Single Reduction

Wheel Diff. Cases illustrated.



## 2-Speed

Wheel Diff. Cases illustrated.





# Roadranger®

**MORE TIME ON THE ROAD.**

The Roadranger® System is an unbeatable combination of the best products from Eaton and Dana, partnering to provide you the most advanced, most trouble-free drivetrain in the industry. And it's backed by the Roadrangers -- the most experienced, most expert, most accessible drivetrain consultants in the business.

For spec'ing or service assistance, call 1-800-826-HELP (4357), 24 hours a day, 7 days a week, (Mexico: 8-332-1515) for more time on the road. Or visit our web site at <http://roadranger.com>.

AXIP-0073  
08/94 POD  
Printed in U.S.A.



National Institute for  
**AUTOMOTIVE  
SERVICE  
EXCELLENCE**

Copyright Dana Corporation, 2001. DANA CORPORATION hereby grants its customers, vendors, or distributors permission to freely copy, reproduce and/or distribute this document in printed format. THIS INFORMATION IS NOT INTENDED FOR SALE OR RE-SALE, AND THIS NOTICE MUST REMAIN ON ALL COPIES.