

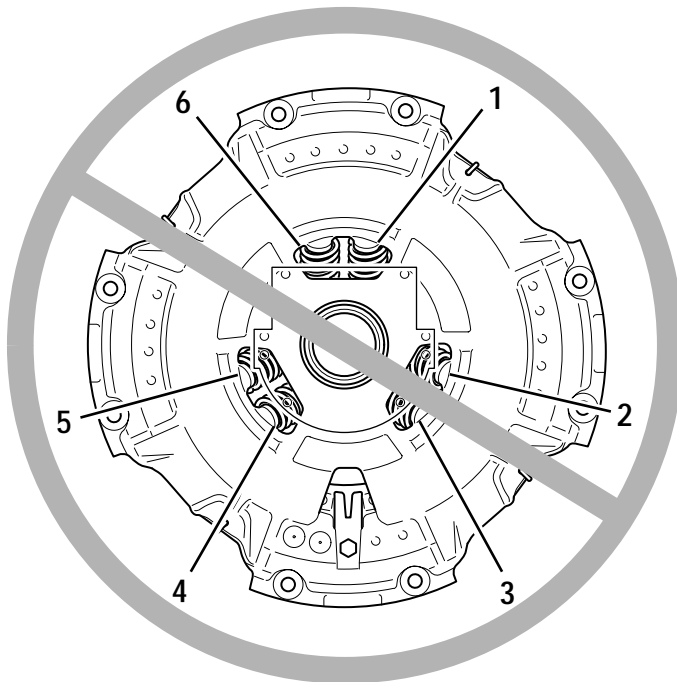
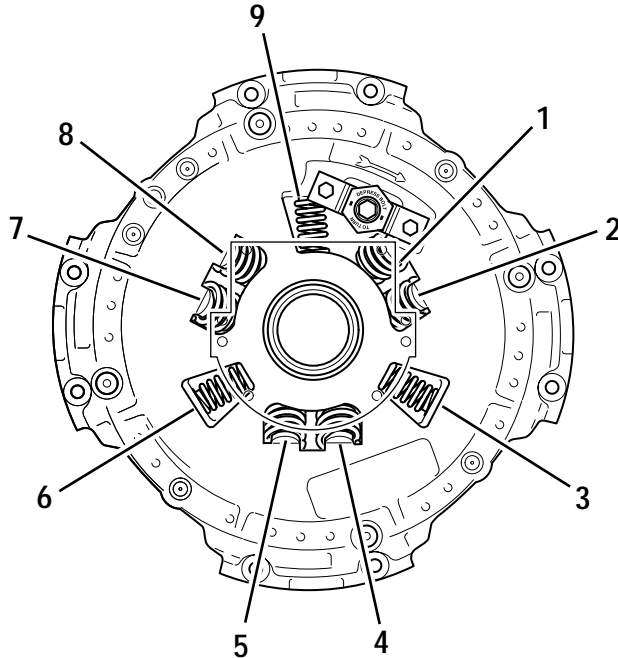
Eaton® Fuller® Clutch Core Return Identification

The number of visible cover assembly springs indicates which cores Eaton will accept.

- 9-Spring Easy-Pedal™ Style Cores – Eaton Accepts
- 6-Spring Angle Spring Style Cores – Eaton WILL NOT Accept*

Accepted Style

Easy-Pedal clutches have 9-springs visible on the back of the cover assembly.



Not Accepted Style*

Angle spring clutches have 6-springs visible on the back of the cover assembly.

* Eaton will only accept 6-spring Angle Spring cores that meet the following 2 requirements:

- Must be a reman purchased before April 1, 2001.
- Must meet core return eligibility.

Eaton Corporation
Clutch Division
201 Brandon Street
Auburn, IN 46706